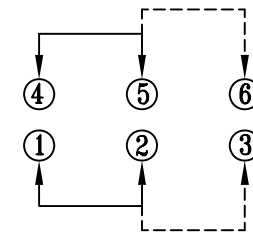
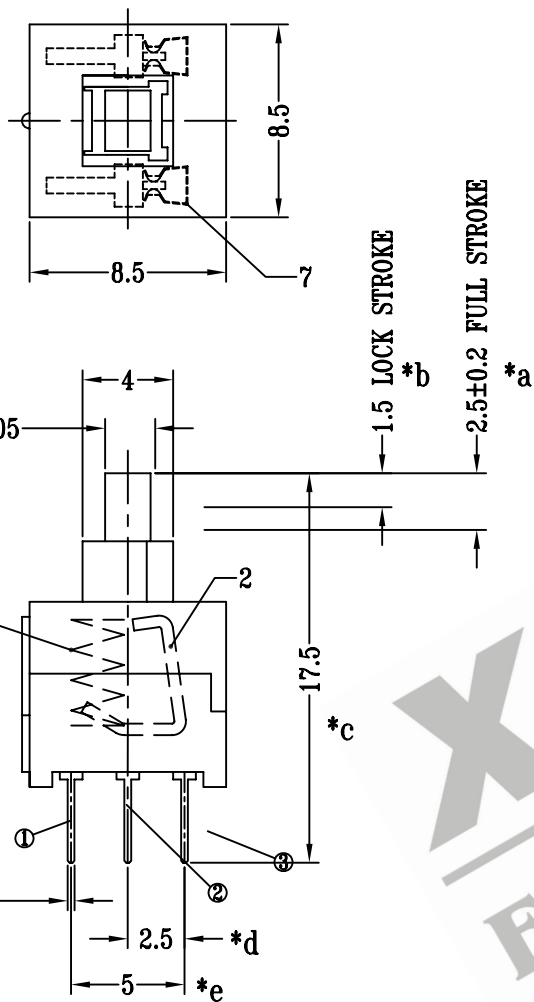
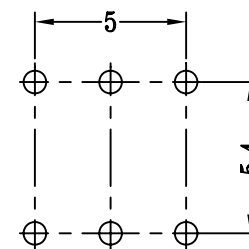
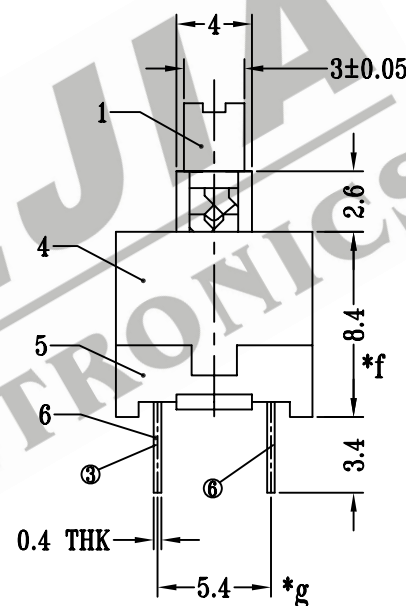


CAD FILE:



SCHEMATIC (NON-SHORTING)



P.C. LAYOUT

注：“*”表示关键尺寸(7个)

8					TOLERANCE UNLESS SPECIFIED	SHENZHEN XIEJIA ELECTRONICS CO.,LTD.				
7	CONTACT CLIP	PBS	2	Ag CLAD						
6	TERMINAL	PBT+F.G/BRASS STRIP	6	BLACK/Ag PLATED OVER Ni PLATED	WITHIN: 1.5±0.1mm OVER : 1.5±0.2mm	ISSUE	DATE	DESCRIPTIONS		APPD.
5	CASE	PBT+F.G	1	BLACK	TITLE : VERTICAL PUSH SWITCH		UNIT : MM	DRWG NO.: XJ-DR-PB22E06-00		
4	COVER	POM	1	BLACK	MODEL: PB-22E06		SCALE: 3:1	DWN.	ZHOUYU	2003-6-20
3	SPRING	SUS	1	TEMPER	ALL MATERIALS MUST BE COMPLIANT TO ROHS			CHK'D	FANGYING	2003-6-20
2	CAM STICK	SUS	1	WASHING			APPD.	KANGXINAN	2003-6-20	
1	KNOB	POM	1	WHITE/BLUE						
NO.	PART NAME	MATERIAL	Q'TY	FINISHING						